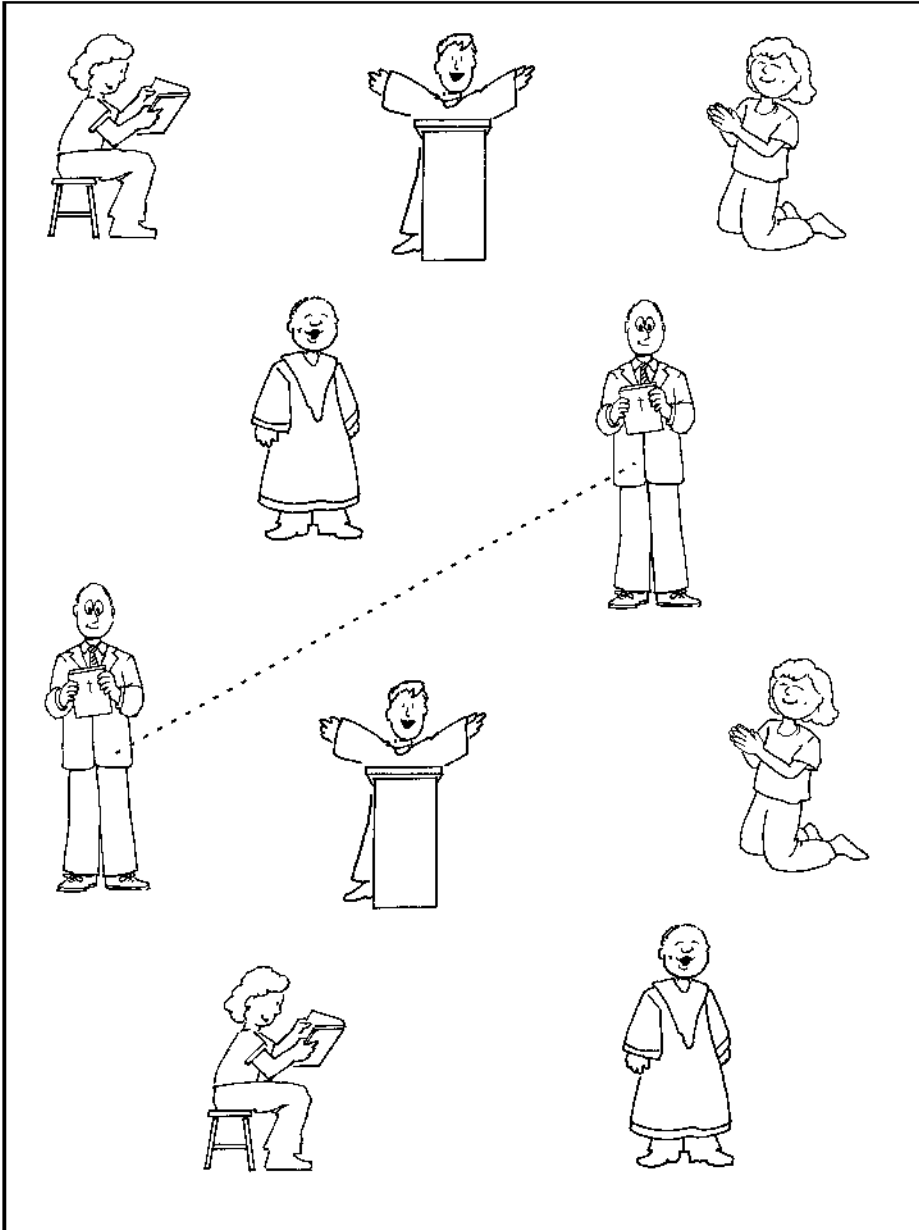


God made Himself known to us in Jesus.

Match the people who are the same.



# Children's Worship Bulletin™

Ages 3+

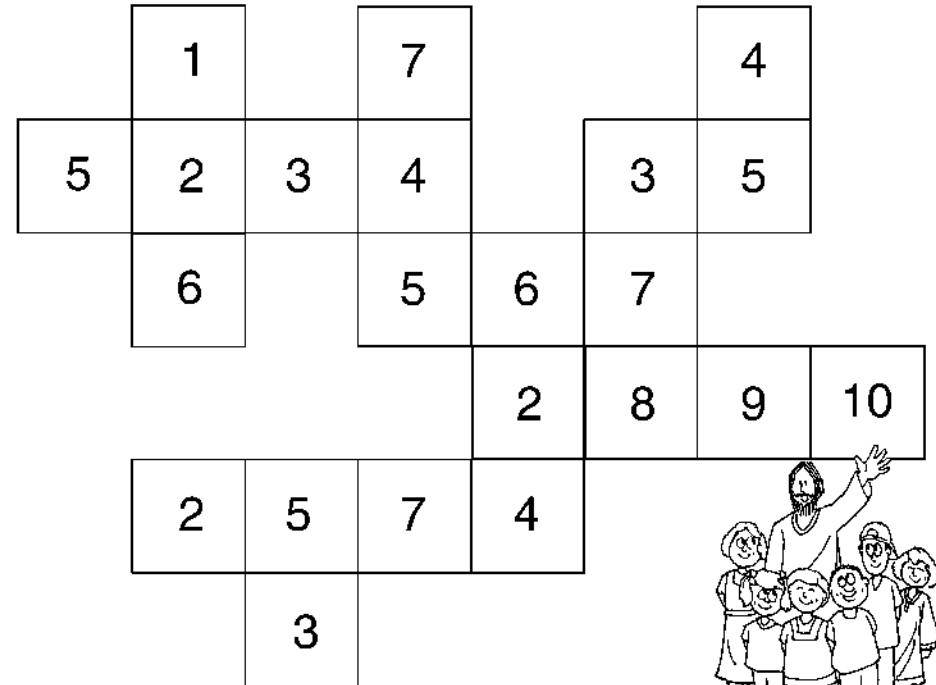
August 2, 2020 • 1 Corinthians 1:3-9

## Jesus Keeps You Strong

Be friends with Jesus.

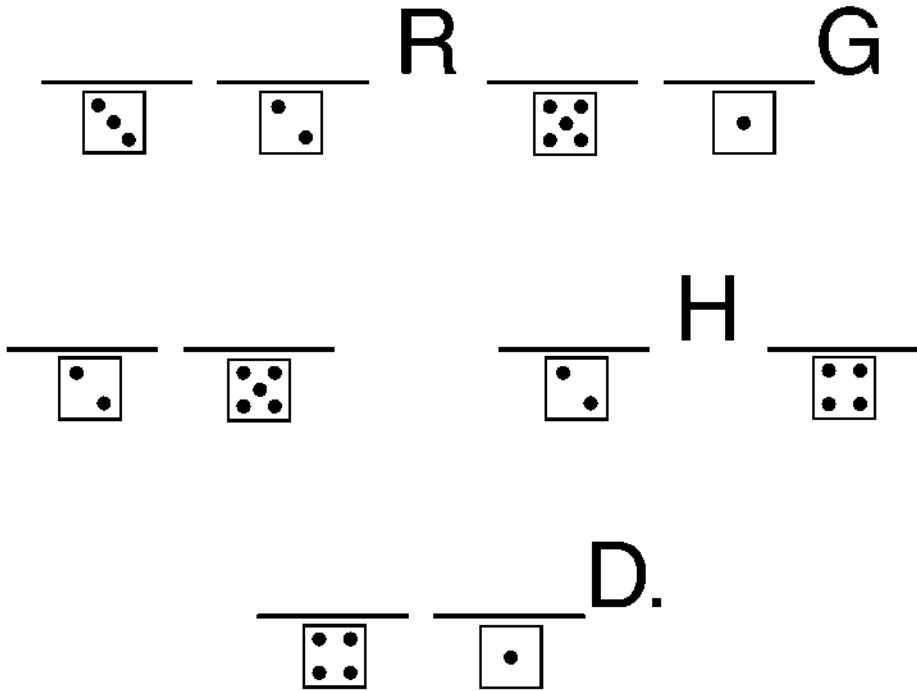
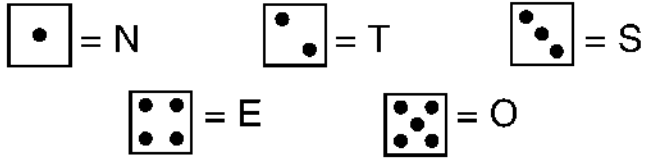


Help the child find her way to Jesus.  
1 2 3 4 5 6 7 8 9 10



God will keep you ...

Use the code to fill in the letters.



In Jesus our lives are better in every way.

Circle and find these objects.

